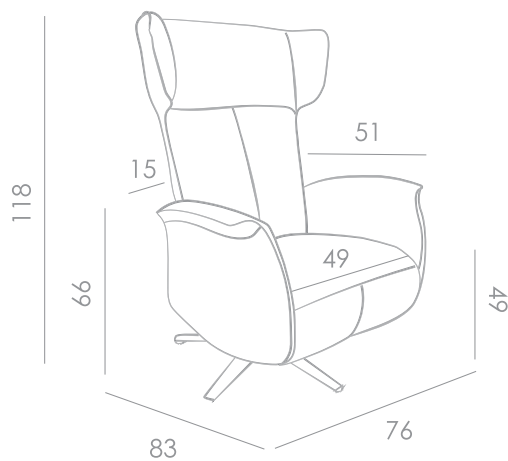


Apollo - 6288



Note: All measurements are approximate and subject to changes.